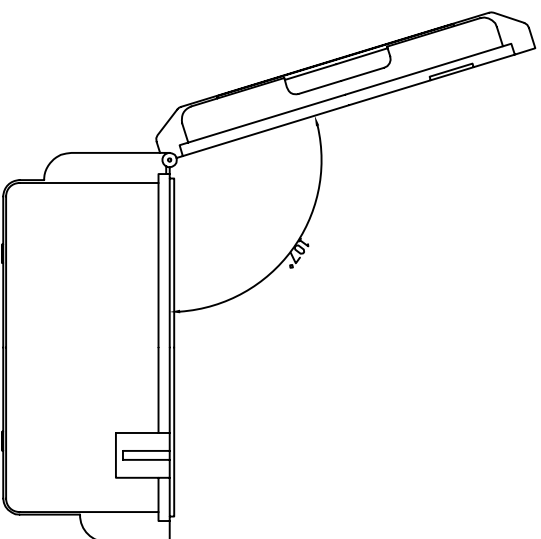
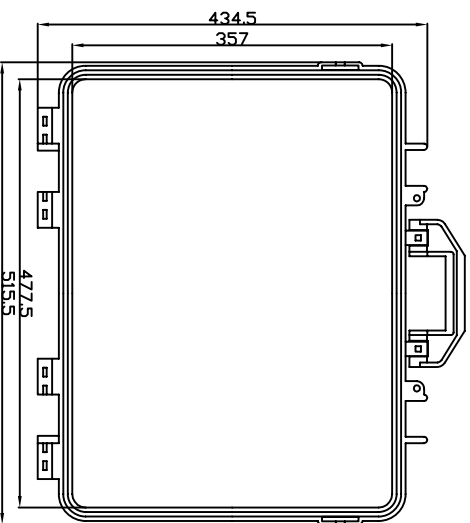
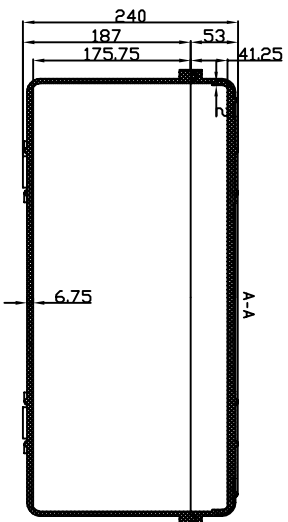
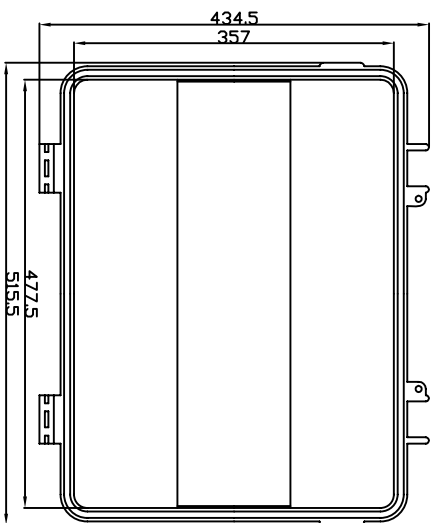
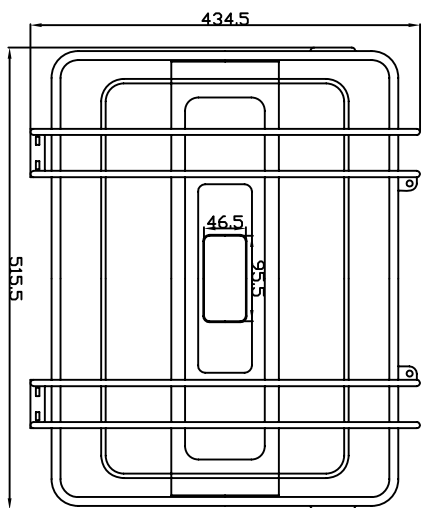
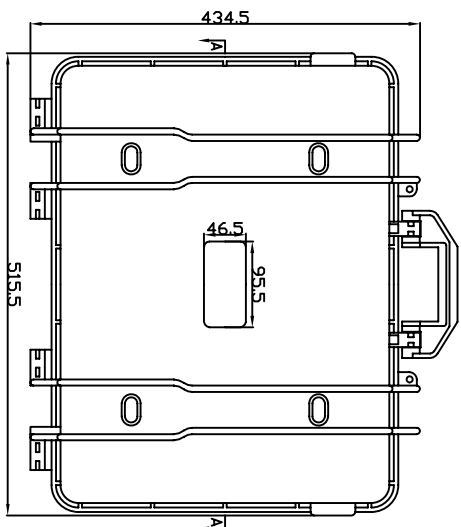


REVISION RECORD				
REV	ECD	DESCRIPTION	DRFT	CHKD



DETACHED LISTS		DATE	DATE	TITLE	
MM	0 ± 0.3	CHKD	DATE	埃弗勒斯 EVEREST WWW.EVERESTCASE.COM	
MM	.00 ± 0.2	APPVL	DATE		
MM	1000 ± 0.1	DATE	DATE		
ANGLES ± 5°		MATERIAL: ABS		DRAWING NO. EPC017-2	
THIRD ANGLE PROJECTION		FINISH:		/PART NO. 00	
SCALE: 1:1		DID NOT SCALE DRAWING		SHEET 1 OF 1	