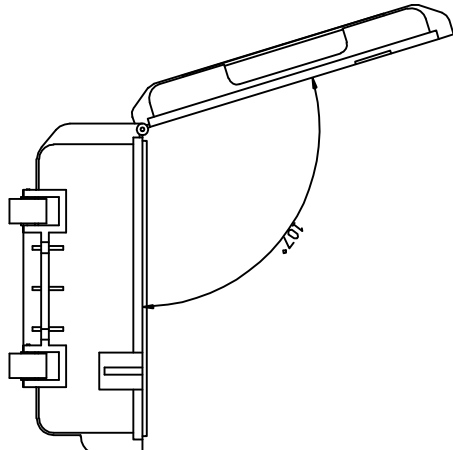
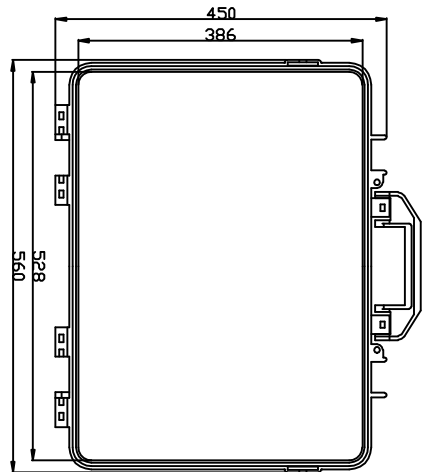
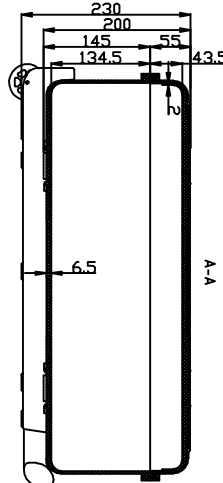
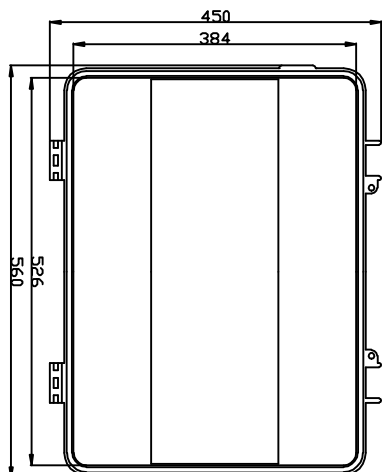
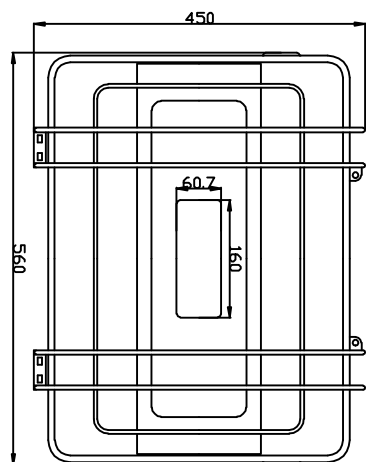
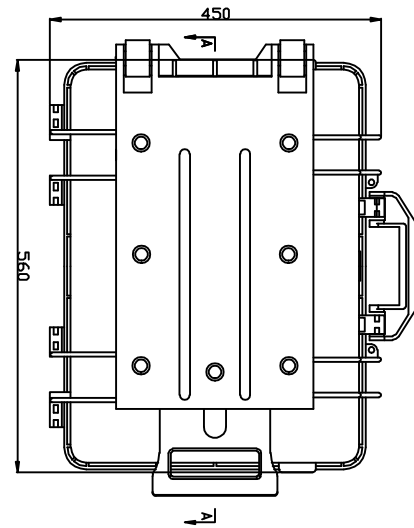


REVISION RECORD				
REV	CD	DESCRIPTION	DRFT	CHKD



DETACHED LISTS		DATE	DATE
DR TO	CHKD	DATE	DATE
DR	MD	DATE	DATE
APPL	DATE		
MATERIAL: ABS			
QT'Y: 1			
FINISH:			
THIRD ANGLE PROJECTION			
SCALE: 1:1			

		EVEREST WWW.EVERESTCASE.COM	
TITLE			
DRAWING NO: EPC018B		SIZE	
/PART NO: 00		A4	
DID NOT SCALE DRAWING		REV	
SHEET 1		OF 1	