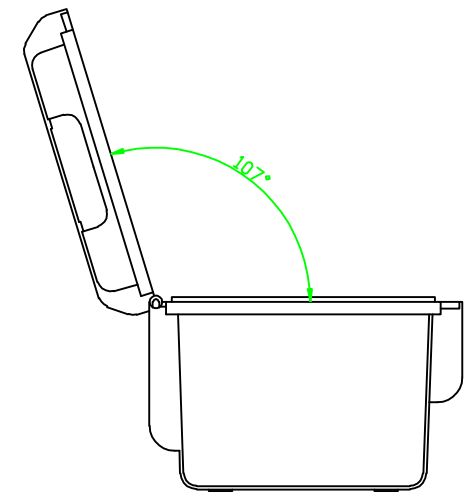
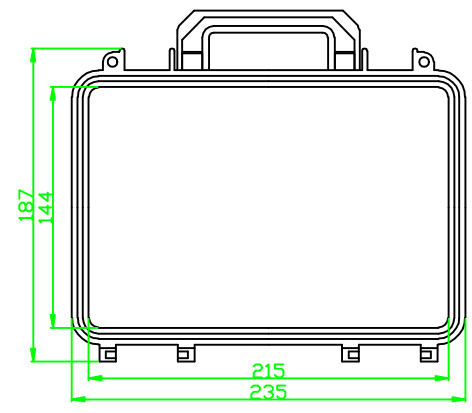
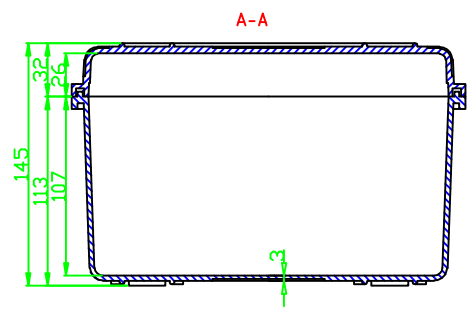
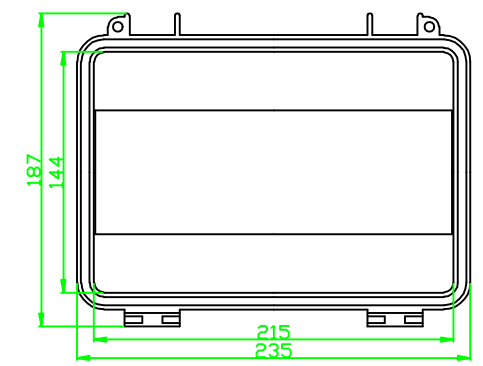
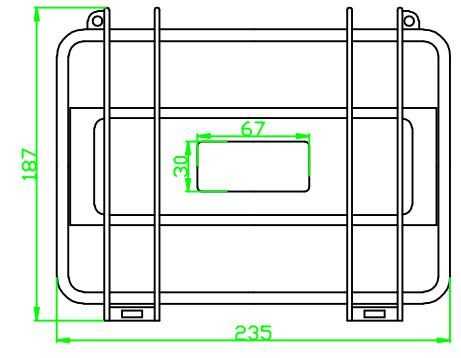
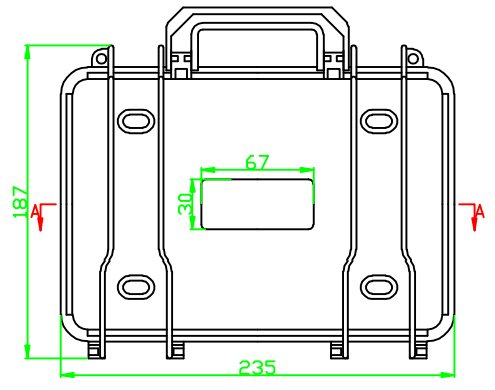



REVISION RECORD				
REV	ECD	DESCRIPTION	DRFT	CHKD



DETACHED LISTS	MM (INCH)	DFTD	DATE	 EVEREST WWW.EVERESTCASE.COM		
	TOLERANCES EXCEPT AS NOTED	CHKD	DATE			
		MFO	DATE			
		APPVL	DATE			
	MM			TITLE		
	.0 ± 0.3	±		EPC022-2		
	.00 ± 0.2	±				
	.000 ± 0.1	±		DRAWING NO. EPC022-2	SIZE	REV
	ANGLES ± 5°			/PART NO. 00	A4	
	THIRD ANGLE PROJECTION			DO NOT SCALE DRAWING	SHEET 1	OF 1
		SCALE : 1:1				