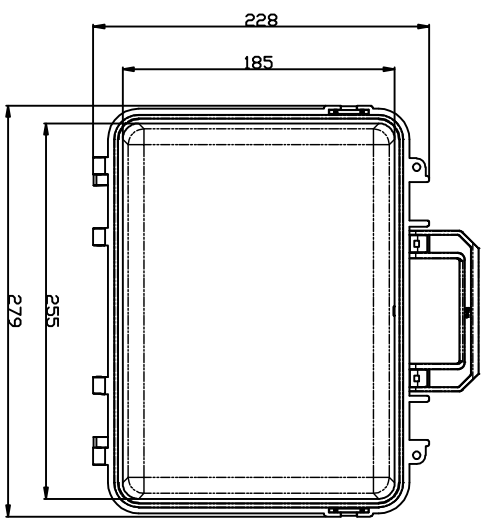
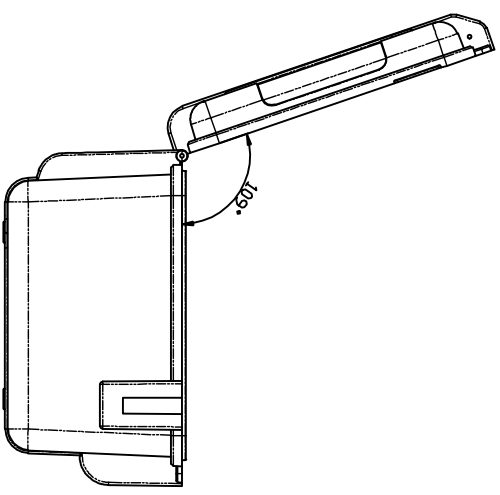
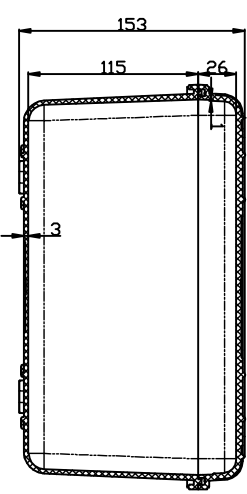
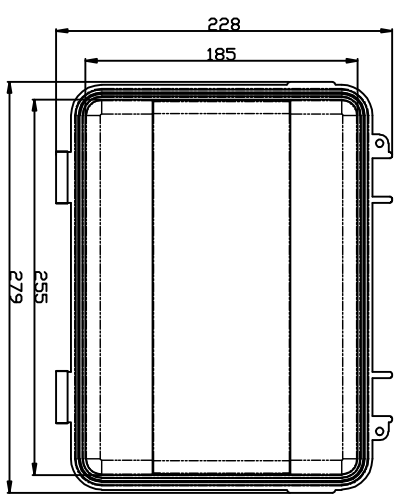
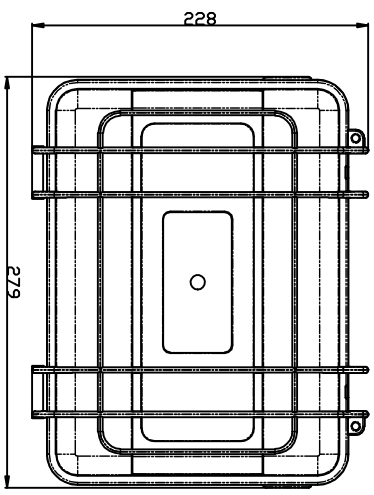
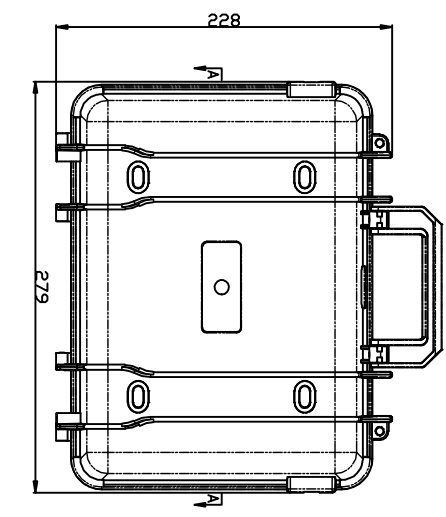


REVISION RECORD				
REV	ECN	DESCRIPTION	DRFT	CHKD



DETACHED LISTS													
<table border="1"> <tr> <td>MM</td> <td>±</td> </tr> <tr> <td>.00 ± 0.2</td> <td>±</td> </tr> <tr> <td>.00 ± 0.1</td> <td>±</td> </tr> </table>	MM	±	.00 ± 0.2	±	.00 ± 0.1	±	<table border="1"> <tr> <td>MM</td> <td>±</td> </tr> <tr> <td>.00 ± 0.2</td> <td>±</td> </tr> <tr> <td>.00 ± 0.1</td> <td>±</td> </tr> </table>	MM	±	.00 ± 0.2	±	.00 ± 0.1	±
MM	±												
.00 ± 0.2	±												
.00 ± 0.1	±												
MM	±												
.00 ± 0.2	±												
.00 ± 0.1	±												
ANGLES ± 5°													

THIRD ANGLE PROJECTION	SCALE: 1:1
------------------------	------------

<b>EVEREST</b> WWW.EVERESTCASE.COM	DRAWING NO. <b>EPC011</b> /PART NO. <b>00</b>	SIZE <b>A4</b> REV
TITLE <b>EPC011</b>	DD NDT SCALE DRAWING	SHEET 1 OF 1