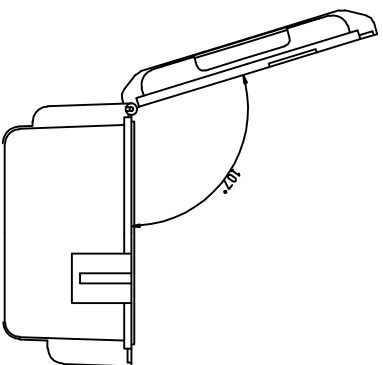
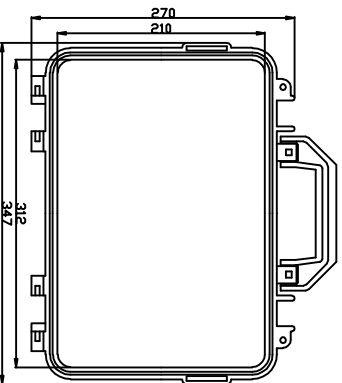
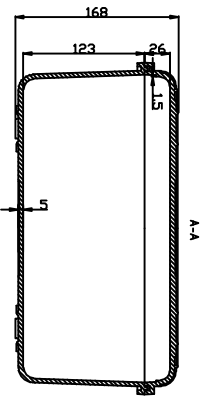
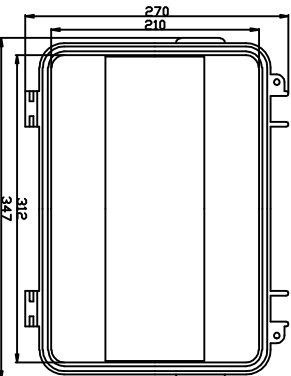
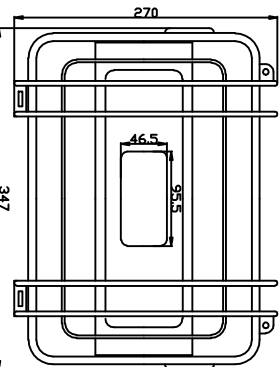
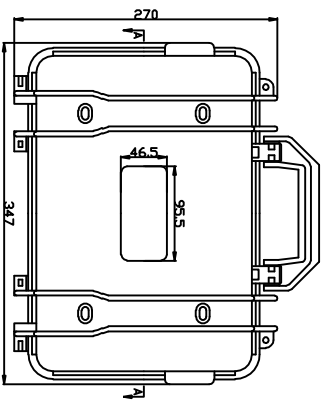


BASIC SIZE	0-3	>3-6	>6-10	>10-18	>18-30	>30-50	>50-80	>80-120	>120-180	>180-250
DIMS TOLERANCE	±0.14	±0.18	±0.22	±0.27	±0.33	±0.39	±0.46	±0.54	±0.63	±0.72



THE MACHINING TOLERANCES		NAME	DATE
UNSPECIFIED TOLERANCES FOLLOW GB/1804-1992 IT13	DRAWN		
FDAM TOLERANCES	ENG APPR		
THE ANGLE TOLERANCES	±1°	QTY	1
FIRST ANGLE PROJECTION	SCALE	1:1	UNIT
		mm	
	DD NOT SCALE DRAWING		
		SHEET 1	OF 1

DRX.EVEREST
WWW.EVERESTCASE.COM

TITLE
EVEREST CASE

MATERIAL
ABS

/PART NO
EPC018-2